

REFRIGERATED TRANSPORT SOLUTIONS



 MANAGEMENT SYSTEM²⁰¹⁵
ISO 9001
BICERT
Certificate: SG 20171851

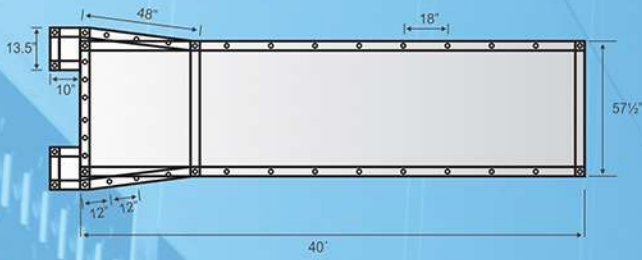
**CUSTOM
MADE
TARPS**



REFRIGERATED TRANSPORT SOLUTIONS

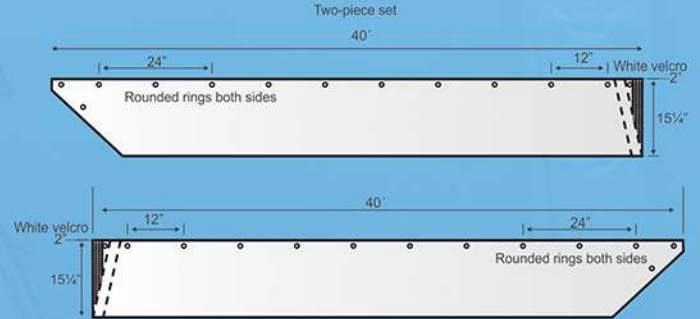
6.58'x43'

Color	White	Material weight	10oz	Length	43'	Tolerance	± ¼
-------	-------	-----------------	------	--------	-----	-----------	-----



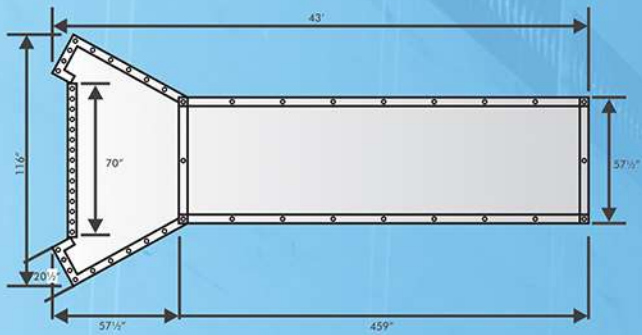
TUBE CHUTE

Color	White	Material weight	10oz	Length	40'	Tolerance	± ¼
-------	-------	-----------------	------	--------	-----	-----------	-----



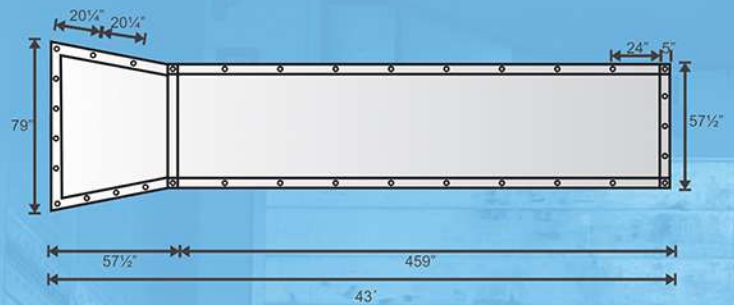
9.67'x43'

Color	White	Material weight	10oz	Length	43'	Tolerance	± ¼
-------	-------	-----------------	------	--------	-----	-----------	-----



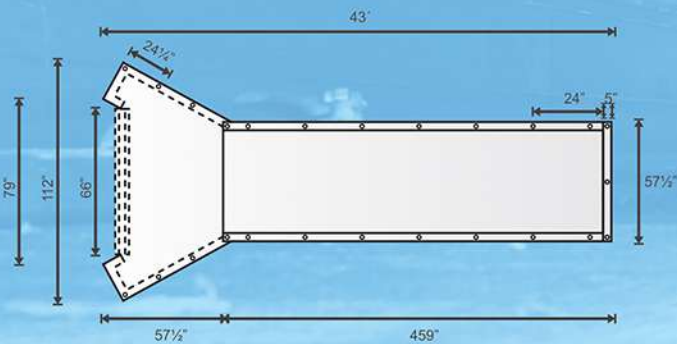
5.38'x43'

Color	White	Material weight	10oz	Length	43'	Tolerance	± ¼
-------	-------	-----------------	------	--------	-----	-----------	-----



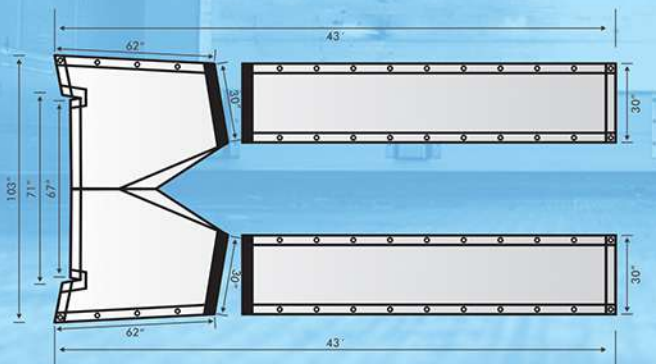
9.33'x43'

Color	White	Material weight	10oz	Length	43'	Tolerance	± ¼
-------	-------	-----------------	------	--------	-----	-----------	-----



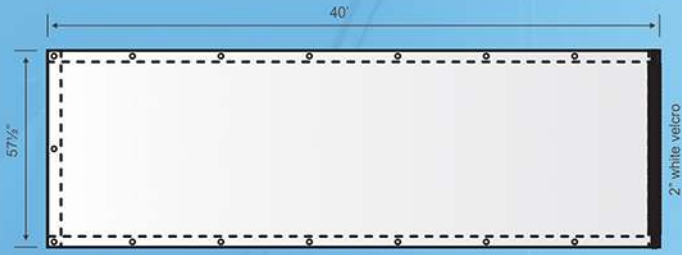
8.58'x43'

Color	White	Material weight	10oz	Length	43'	Tolerance	± ¼
-------	-------	-----------------	------	--------	-----	-----------	-----



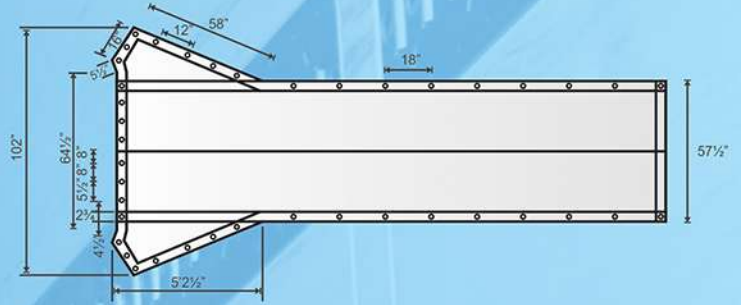
4.77'x40'

Color	White	Material weight	10oz	Length	43'	Tolerance	± ¼
-------	-------	-----------------	------	--------	-----	-----------	-----



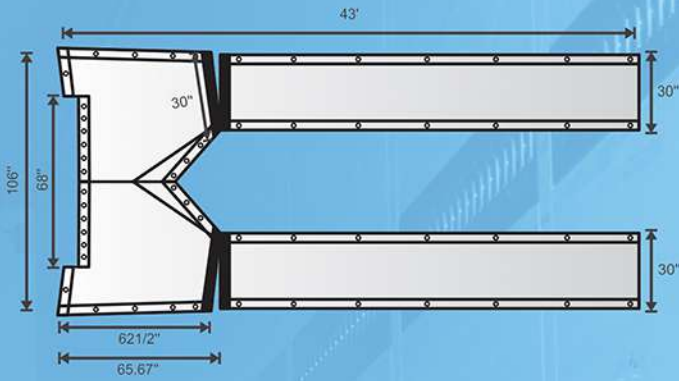
5.38'x43'

Color	White	Material weight	10oz	Length	43'	Tolerance	± ¼
-------	-------	-----------------	------	--------	-----	-----------	-----



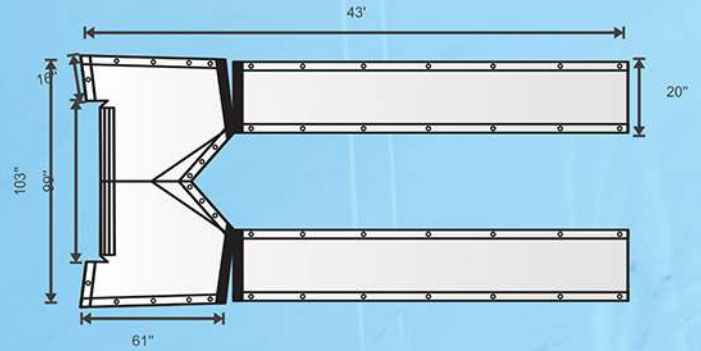
8.83'x43'

Color	White	Material weight	10oz	Length	43'	Tolerance	± ¼
-------	-------	-----------------	------	--------	-----	-----------	-----



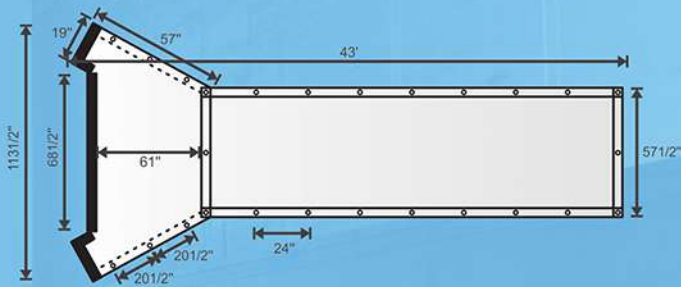
8.58'x43'

Color	White	Material weight	10oz	Length	43'	Tolerance	± ¼
-------	-------	-----------------	------	--------	-----	-----------	-----



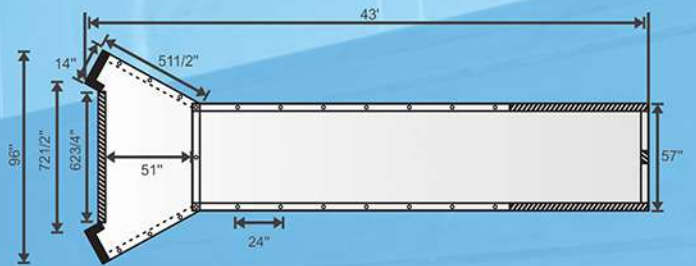
9.46'x43'

Color	White	Material weight	10oz	Length	43'	Tolerance	± ¼
-------	-------	-----------------	------	--------	-----	-----------	-----



8'x43'

Color	White	Material weight	10oz	Length	43'	Tolerance	± ¼
-------	-------	-----------------	------	--------	-----	-----------	-----



*Ask for our certified products for special applications



Industrial Fabrics
Association International

**WE MAKE
YOUR IDEAS
BIG**



**REFRIGERATED
TRANSPORT
SOLUTIONS**

Toll Free

(866) 973 7185

2420 ML King St., Suite B Calexico, CA, 92231

salesteam@[plasticfabrics.com](mailto:salesteam@plasticfabrics.com)

www.plasticfabrics.com

f in /Plastic Fabric Solutions INC